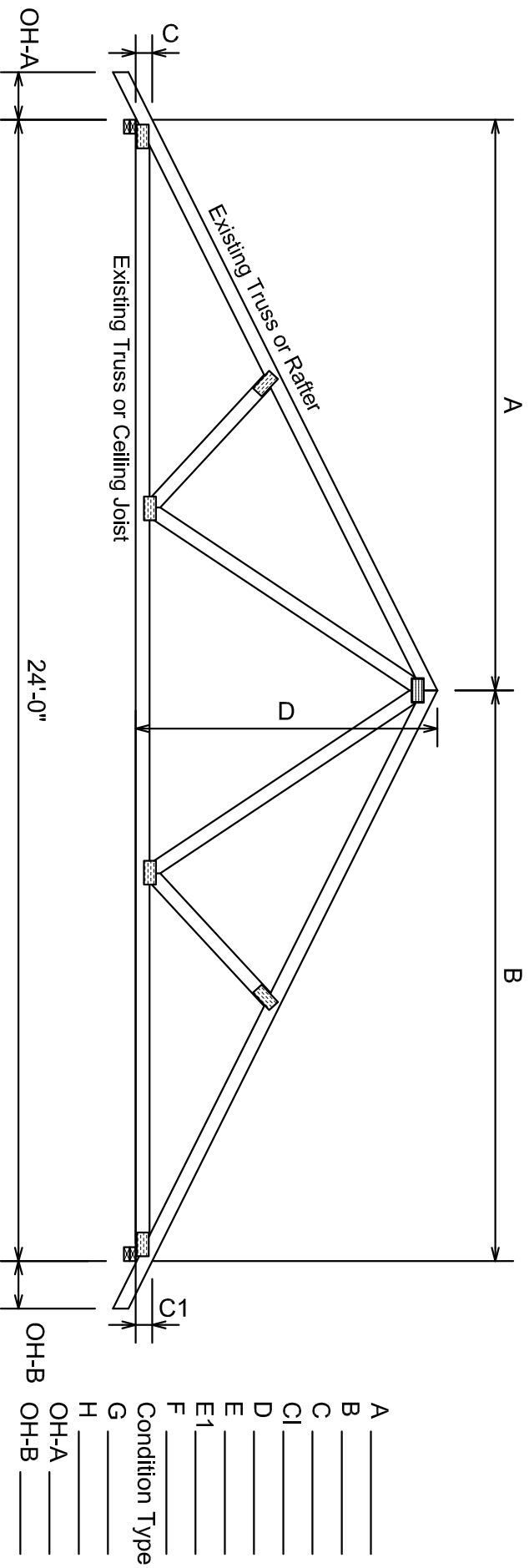


Measurements Required for Matching Existing Roofs



Match Trusses to an existing building is a tricky business. Whether the existing building is trussed or stick framed, we must have the above dimensions to provide a satisfactory job. Please fill in the blanks for each area.

Note: Dimensions "A" and "B" should be obtained to be sure that the ridge in the center.

